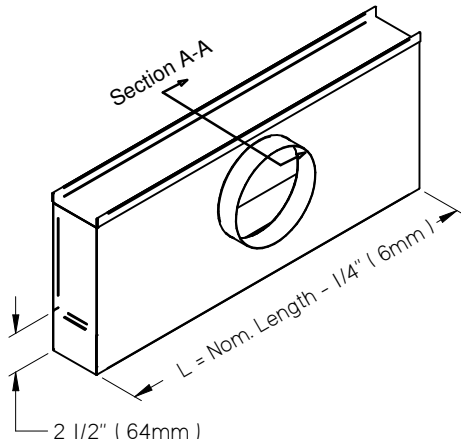


UP - UNIVERSAL PLENUM



HEM OPTION:

- Hemmed (for surface mount applications)

For use with:

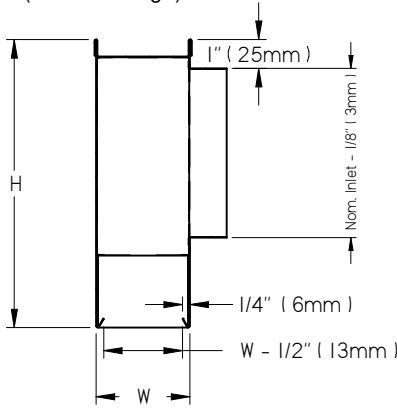
- LBP with type C mounting
- CF border type CMF, EF (SM), FM (SM)
- SDS border type 2, 8, 8A, 21, 22

- Flat (for t-bar applications)

For use with:

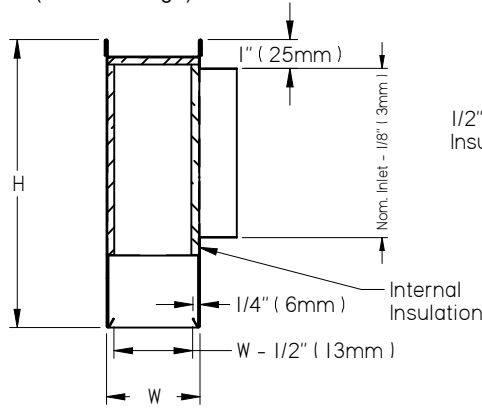
- LBP
- CF LI border type EF (LI), FM (LI), TG916, TZ-4, TZ-6, CMF-EF
- SDS border type 1, 3, 6, 7, 9A, 9B, 12, 14, 15, 17, 18, 19, 20, 916

- Non-insulated model (hemmed edge)



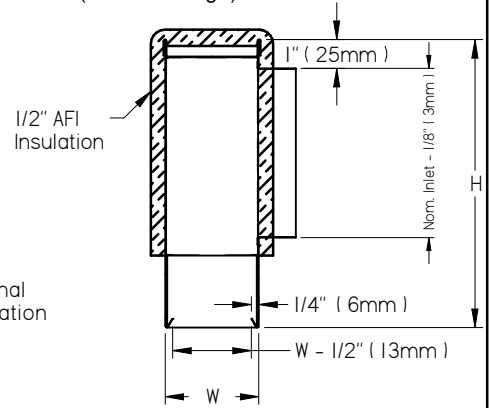
Section A-A

- Internally insulated model (hemmed edge)



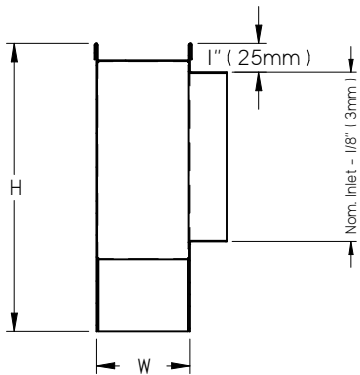
Section A-A

- Externally insulated AFI model (hemmed edge)



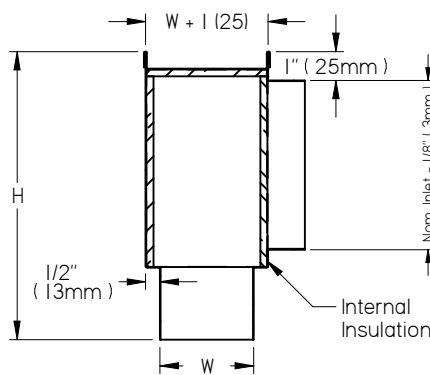
Section A-A

- Non-insulated model (flat edge)



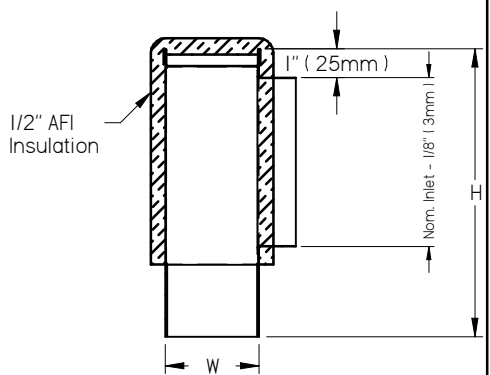
Section A-A

- Internally insulated model (flat edge)



Section A-A

- Externally insulated AFI model (flat edge)



Section A-A

ALL METRIC DIMENSIONS () ARE SOFT CONVERTED. IMPERIAL DIMENSIONS ARE CONVERTED TO METRIC AND ROUNDED TO THE NEAREST MILLIMETER.

PROJECT:

ENGINEER:

CUSTOMER:

SUBMITTAL DATE:

SPEC. SYMBOL:



MS

244077

2023-03-27

UP

UNIVERSAL PLENUM

UP - UNIVERSAL PLENUM

WIDTH (W):

(Specify Price diffuser)

- SDS
Type _____
Border Type _____
Slot Quantity _____
- LBP
Specify width _____
- Custom Flow (CF)
Slot Quantity _____
Slot Width _____

NOM. LENGTH:

- 12" (305mm)
- 24" (610mm)
- 36" (914mm)
- 48" (1219mm)
- 60" (1524mm)
- 72" (1829mm)
- Specify length _____

INSULATION:

- CF - Internal Coated Fiberglass
- FF - Internal Fiber Free Foam
- AFI - External Aluminum Foil Faced

MATERIAL:

- Coated steel

NOTES:

- Maximum plenum width is 24" (610mm)
- End caps are not insulated
- Field cut inlet - unit supplied without inlet for field cutting

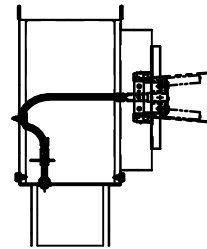
	NOM. INLET SIZE	H
<input type="checkbox"/>	6" (152mm)	10" (254mm)
<input type="checkbox"/>	7" (178mm)	11" (279mm)
<input type="checkbox"/>	8" (203mm)	12" (305mm)
<input type="checkbox"/>	9" (229mm)	13" (330mm)
<input type="checkbox"/>	10" (254mm)	14" (356mm)
<input type="checkbox"/>	12" (305mm)	16" (406mm)
<input type="checkbox"/>	FC - Field Cut Inlet	16" (406mm)

NECK OPTION:

- Standard Neck
- BN - Beaded Neck



DAMPER OPTION:

- VCR8EC - Cable Operated Damper



- VCR8EC not available for:
 - 9" inlet
 - SDS50, SDS75
- VCR8EC not recommended with LBP cores:
 - 15A, 16A, 25C, 26B, 26C, 27B, 27C

ALL METRIC DIMENSIONS () ARE SOFT CONVERTED. IMPERIAL DIMENSIONS ARE CONVERTED TO METRIC AND ROUNDED TO THE NEAREST MILLIMETER.

PROJECT:		 UP UNIVERSAL PLENUM
ENGINEER:		
CUSTOMER:		
SUBMITTAL DATE:	SPEC. SYMBOL:	
		 244077 2023-03-27