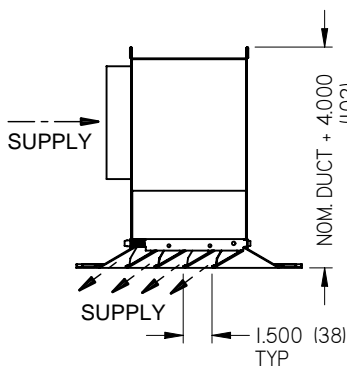
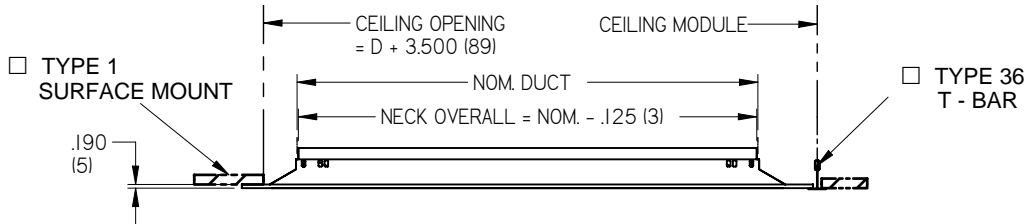
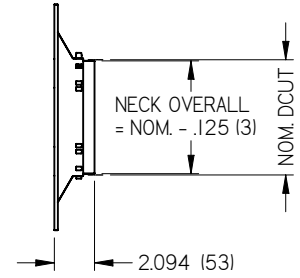
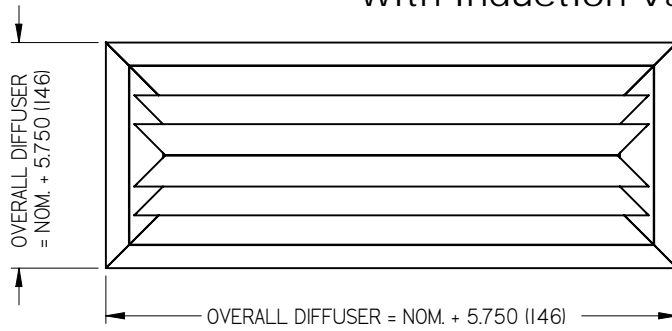
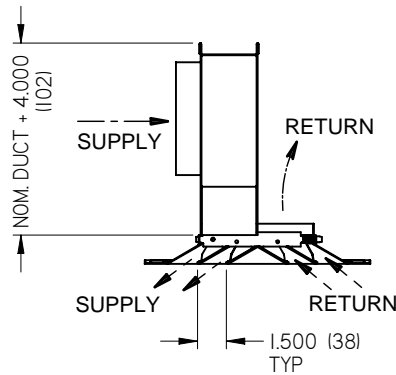


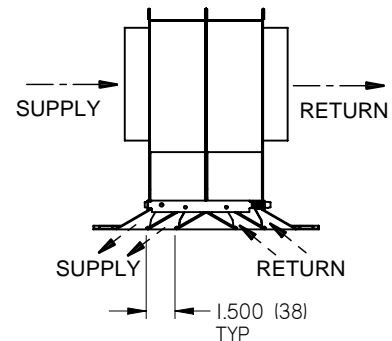
AMXL - Aluminum Linear Louver Face Diffuser  
With Induction Vanes



OPTIONAL SP SUPPLY PLENUM (SINGLE)



OPTIONAL SRP1 SUPPLY/RETURN PLENUM



OPTIONAL SRP2 SUPPLY/RETURN PLENUMS

**NOTES:**

- SUPPLIED WITH FACTORY INSTALLED INDUCTION VANES.
- 1.5" BLADE SPACING.
- AV AVAILABLE NOM. WIDTH:  
1 WAY -  3",  6"  9",  12"  15"  
2 WAY -  6",  12"
- AV AVAILABLE NOM. LENGTH:  
SURFACE MOUNT (TYPE 1)  18",  24"  30",  
 36"  42",  48"  
T - BAR (TYPE 36)  18",  24"  30",  36"  42"
- TO ORDER OPTIONAL PLENUMS CONTACT CUSTOMER SERVICE.

**OPTIONS:**

- OPTIONAL PLENUMS AVAILABLE FOR SUPPLY AND SUPPLY/ RETURN CONFIGURATIONS:
- SP AVAILABLE WITH 1 WAY AND 2 WAY PATTERN.
- SRP1 & SRP2 AVAILABLE WITH 2 WAY PATTERN.
- AV AVAILABLE INLET SIZE WITH OPTIONAL PLENUM:  
 6",  7",  8",  9",  10",  12"


**MATERIAL:**

- ALUMINUM CONSTRUCTION

**FINISH:**

- B12 WHITE
- (OTHER FINISHES AVAILABLE) \_\_\_\_\_

ALL METRIC DIMENSIONS ( ) ARE SOFT CONVERTED. IMPERIAL DIMENSIONS ARE CONVERTED TO METRIC AND ROUNDED TO THE NEAREST MILLIMETER.

PROJECT:		<b>PRICE</b>
ENGINEER:		
CUSTOMER:		 <b>246214</b>
SUBMITTAL DATE:		MAR 2007
SPEC. SYMBOL:		<b>AMXL</b> <b>Aluminum Linear Louver Face Diffuser With Induction Vanes</b>