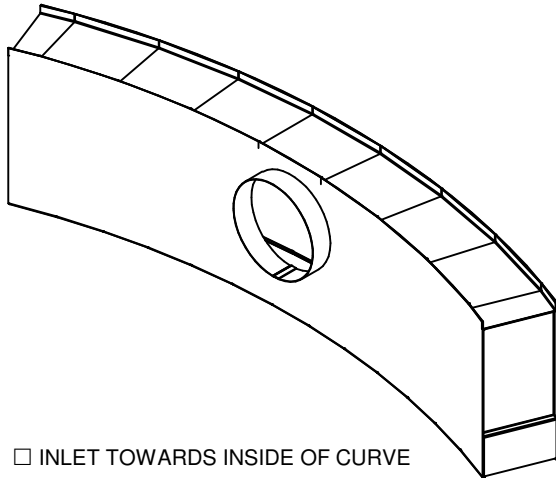
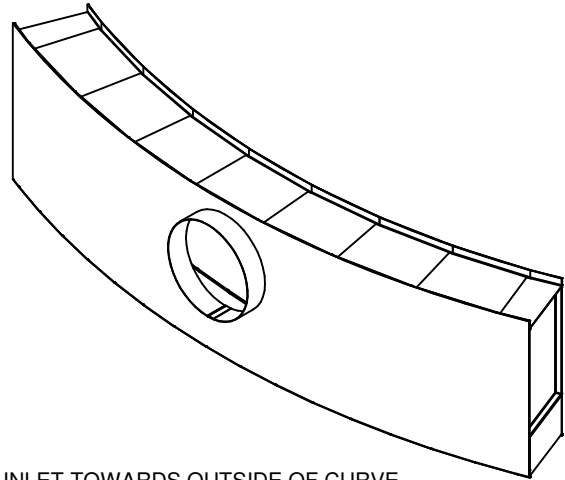


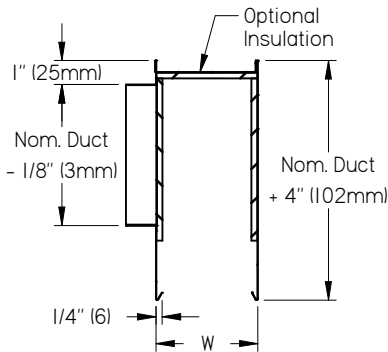
UPC - FLAT CURVED UNIVERSAL PLENUM



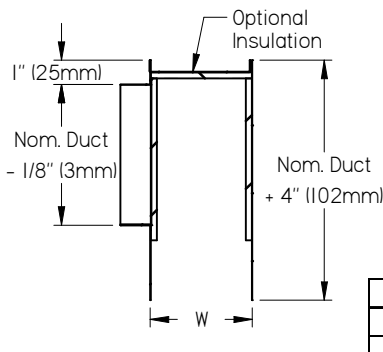
INLET TOWARDS INSIDE OF CURVE



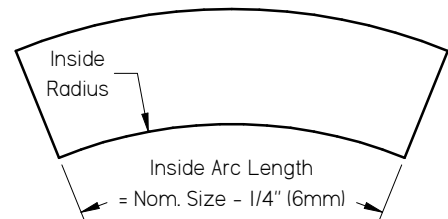
INLET TOWARDS OUTSIDE OF CURVE



HEMMED SIDEWALL



FLAT SIDEWALL



Diffuser	Slots	Minimum Inside Radius
AS210 / JS210	1 & 2 slot	120" (3048mm)
AS215 / JS215	1 & 2 slot	120" (3048mm)
AS220 / JS220	1 slot	frame 21 - 120" (3048mm)
		frame 22 - 500" (12 700mm)
	2 slot	frame 21 - 240" (6096mm)
		frame 22 - 500" (12 700mm)
AS225 / JS225	1 & 2 slot	frame 21 - 720" (18 288mm)
		frame 22 - 1200" (30 480mm)
AS230 / JS230	consult factory for diffuser size limitations	
SDSC	1 & 2 slot	72" (1829mm)

WIDTH:

Specify PRICE diffuser model:

- Custom Flow - AS / JS flat face curved
Slot Size _____ Slots _____ Border Style _____
- SDSC - flat face curved
Slot Size _____ Slots _____ Border Style _____

NOMINAL LENGTH:

- 24" (610mm) 60" (1524mm)
- 36" (914mm) 72" (1829mm)
- 48" (1219mm)

ROUND INLET SIZE:

- 6" (152mm) 9" (229mm)
- 7" (178mm) 10" (254mm)
- 8" (203mm) 12" (305mm)

INLET LOCATION:

- IC - inlet towards Inside of Curvature
- OC - inlet towards Outside of Curvature

DAMPER (OPTIONAL):

- 8EC - cable operated VCR8 damper
(not available for 9" (229mm) inlet or for SDSC diffusers)

MATERIAL:

- Coated steel

INSULATION (OPTIONAL):

- CF - internal Coated Fiberglass
- FF - internal Fiber Free Foam

NOTES:

- End caps are not insulated with CF and FF options

HEMMED SIDEWALL:

- HEM - for surface mount applications
(concealed mounting - Custom Flow types
21C, 21SM, 22A, 22ASM, 22SM, SDSC type 2)
- FLAT (no hem) - for lay-in ceilings
(Custom Flow type 21LI)

ALL METRIC DIMENSIONS () ARE SOFT CONVERTED. IMPERIAL DIMENSIONS ARE CONVERTED TO METRIC AND ROUNDED TO THE NEAREST MILLIMETER.

PROJECT:

ENGINEER:

CUSTOMER:

SUBMITTAL DATE:

SPEC. SYMBOL:

2019/08/14



MJ
260536

UPC
UNIVERSAL PLENUM
FLAT CURVED
APPLICATIONS