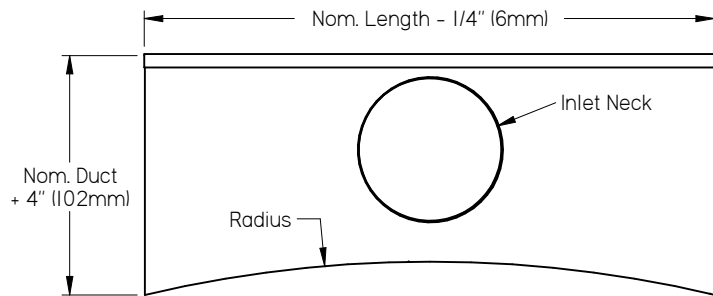
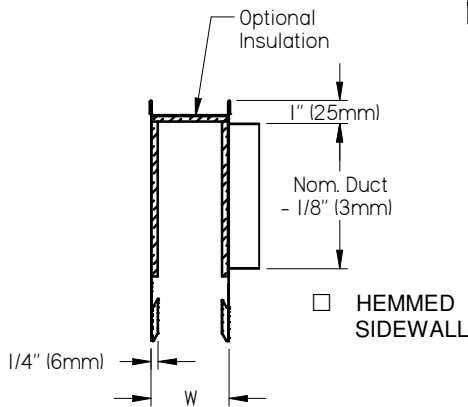
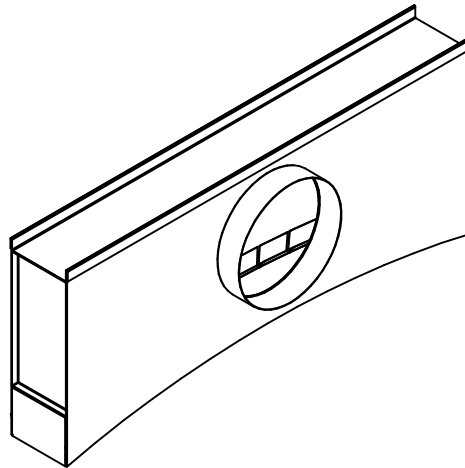


UPC - CONCAVE CURVED PLENUM



WIDTH:

Specify PRICE diffuser model:
 Custom Flow - AS / JS concave
 Slot Size _____ Slots _____ Border Style _____

NOMINAL LENGTH:

- 24" (610mm)
- 36" (914mm)
- 48" (1219mm)
- 60" (1524mm)
- 72" (1829mm)

RADIUS:

Nom. Length	Minimum Radius	
	1 Slot	2 Slot
24" (610mm)	60" (1524mm)	67" (1702mm)
36" (914mm)	135" (3429mm)	
48" (1219mm)	240" (6096mm)	
60" (1524mm)	375" (9525mm)	
72" (1829mm)	535" (13 589mm)	

ROUND INLET NECK SIZE:

- 6" (152mm)
- 7" (178mm)
- 8" (203mm)
- 9" (229mm)
- 10" (254mm)
- 12" (305mm)

HEMMED SIDEWALL:

- HEM - for surface mount applications
 (concealed mounting - Custom Flow types 21C, 21SM, 22A, 22ASM, 22SM)

DAMPER (OPTIONAL):

- 8EC - cable operated VCR8E damper
 (not available for 9" (229mm) inlet)

INSULATION (OPTIONAL):

- CF - internal Coated Fiberglass
- FF - internal Fiber Free Foam

MATERIAL:

- Coated steel

NOTES:

- End caps are not insulated with CF and FF options

ALL METRIC DIMENSIONS () ARE SOFT CONVERTED. IMPERIAL DIMENSIONS ARE CONVERTED TO METRIC AND ROUNDED TO THE NEAREST MILLIMETER.

PROJECT:		PRICE
ENGINEER:		
CUSTOMER:		<i>MJ</i>
SUBMITTAL DATE:		263788
SPEC. SYMBOL:		2019/08/14
		UPC UNIVERSAL PLENUM CONCAVE APPLICATION