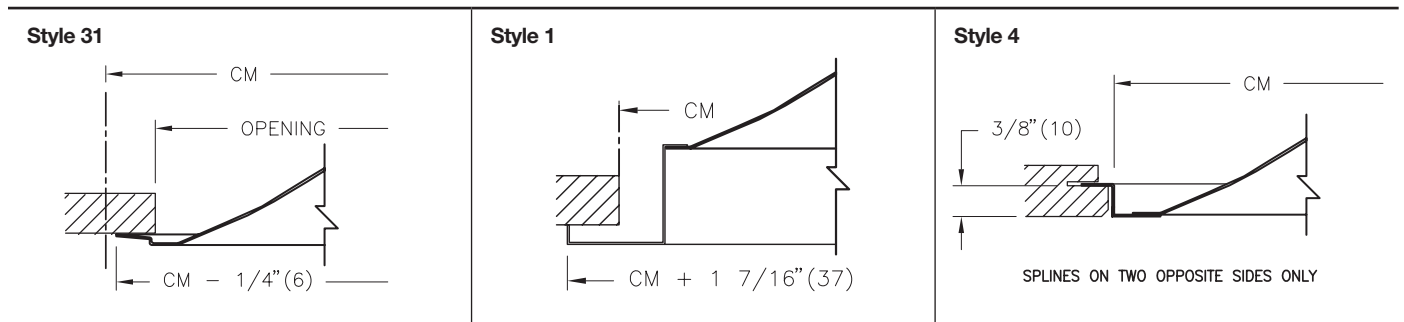


DIFFUSER FRAME STYLE SELECTION GUIDE

SQUARE CEILING DIFFUSERS

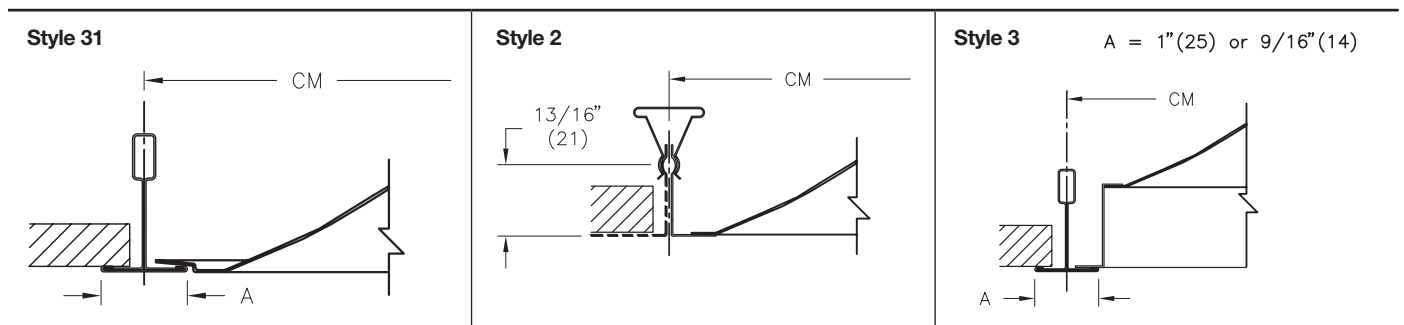
Diffuser Name	Surface Mount			Lay in											
	1	4	31	Frame						Panel					
				2	3	4TS	17 Narrow	17 Tegalur	31	36	2P	3P	4P	17P Narrow	17P Tegalur
SCD		X	X	X		X	X	X	X		X	X	X	X	X
ASCD			X				X	X	X						
SCDA	X	X		X	X		X	X			X	X	X	X	X
ASCDAS	X				X										
SPD		X	X	X		X	X	X	X		X	X	X	X	X
ASPD			X				X	X	X						
ASPDLT/SPDLT	X				X										
SPD AS			X						X						
SMDP	X						X	X		X					
SPDHI		X	X	X		X	X	X	X						

SURFACE MOUNT



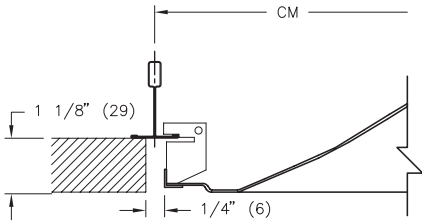
LAY IN

Frame

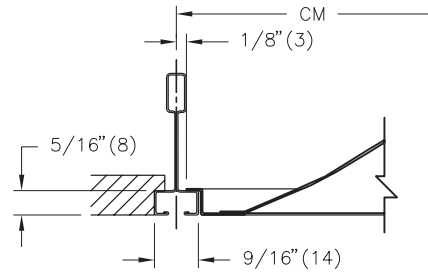


DIFFUSER FRAME STYLE SELECTION GUIDE

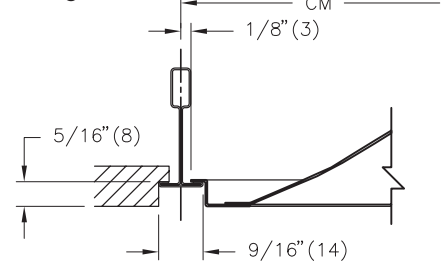
Style 4TS



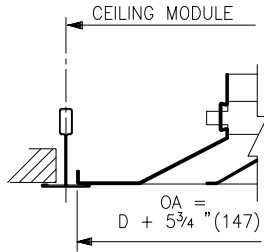
17 Narrow



17 Tegular

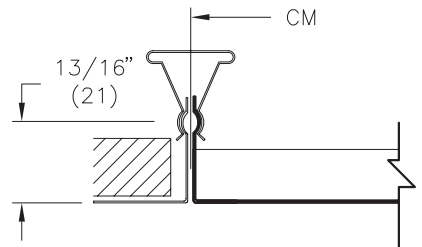


Style 36

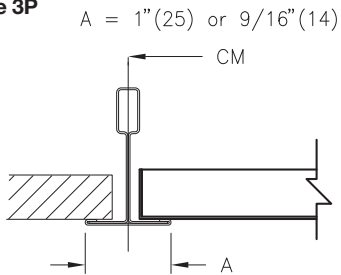


Panel

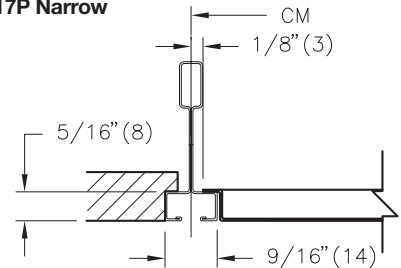
Style 2P



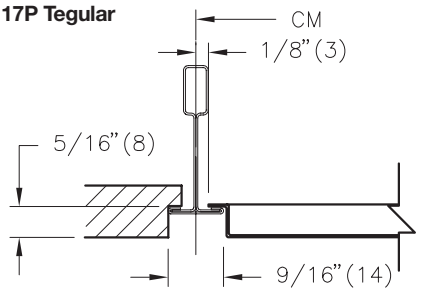
Style 3P



17P Narrow



17P Tegular



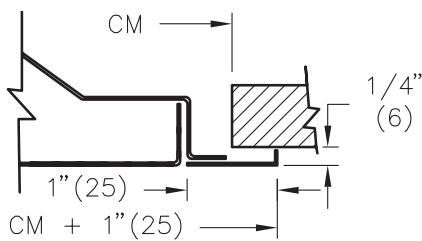
DIFFUSER FRAME STYLE SELECTION GUIDE

PERFORATED CEILING DIFFUSERS

Diffuser Name	Surface Mount	Lay in Frame					Drop face	
		1	2	3	4	17 Narrow		17 Tegular
PDN/APDN	X	X	X	X	X	X	X	X
PDF/APDF	X	X	X	X	X	X	X	X
PDC/APDC	X	X	X	X	X	X	X	X
PDMC/APDMC	X	X	X	X	X	X	X	
PDDR/APDDR	X	X	X	X	X	X	X	X
PDSP/APDSP	X	X	X	X	X	X	X	X
PFRF/PFRFE/APFRF/APFRFE				X		X	X	X
PDS/PDS MRI	X			X				

SURFACE MOUNT

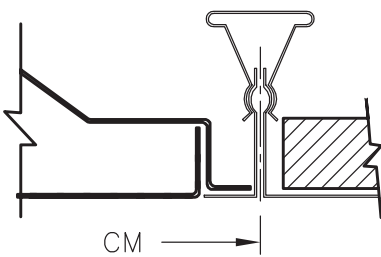
Style 1



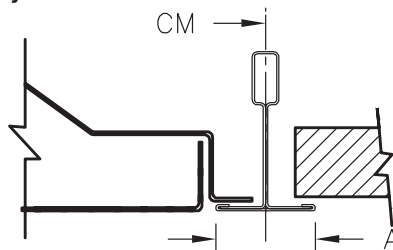
LAY IN

Frame

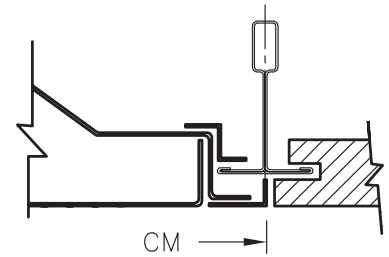
Style 2



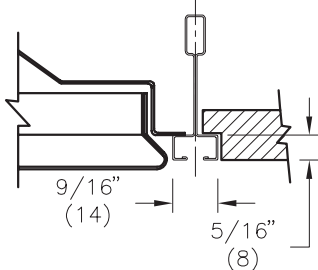
Style 3



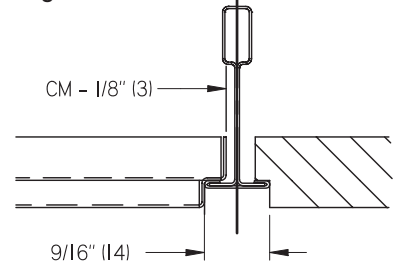
Style 4



17 Narrow



17 Tegular

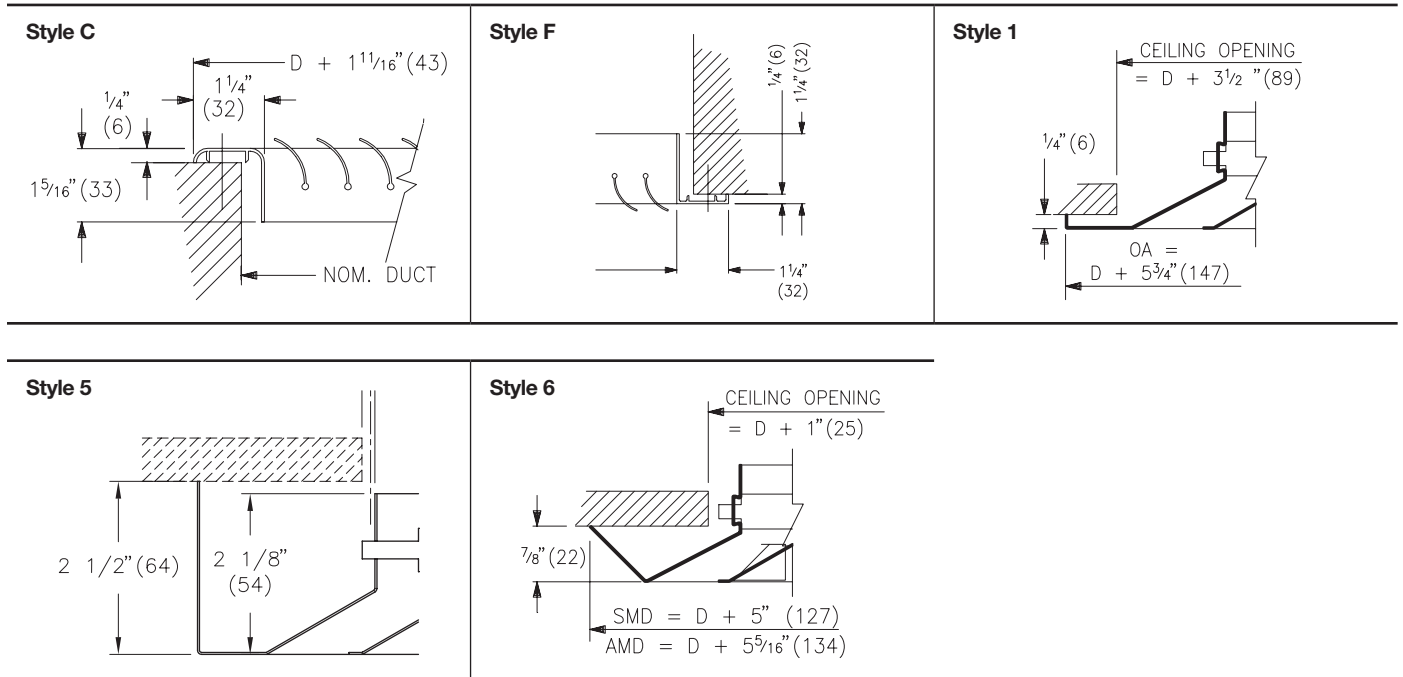


DIFFUSER FRAME STYLE SELECTION GUIDE

SQUARE AND RECTANGULAR DIRECTIONAL DIFFUSERS

Diffuser Name	Surface Mount					Lay in																	
	C	F	1	5	6	Frame					Panel												
						3	5TB	17 Narrow	17 Teguilar	33	34	36	38	3P	3PA	4P	4PA	17P Narrow	17P Teguilar	17PA Narrow	17PA Teguilar	916P	
SMD/AMD			X	X	X		X	X	X	X		X		X	X	X	X	X	X	X	X	X	
SMDA/AMDA			X		X					X		X		X	X	X	X	X	X	X	X	X	
SMX/AMX			X		X					X		X		X	X	X	X	X	X	X	X	X	
AMD/AMXL			X									X											
AMDEX			X		X			X	X			X		X	X	X		X	X				
LCMD			X								X			X	X								
AMDE			X		X			X	X	X		X		X	X	X							
SMCD			X		X						X	X	X	X		X		X	X				
AMCD			X		X						X			X	X	X	X	X	X	X	X	X	
CVD	X	X				X								X		X		X	X				X
SCVD		X				X								X		X		X	X				X

SURFACE MOUNT



DIFFUSER FRAME STYLE SELECTION GUIDE

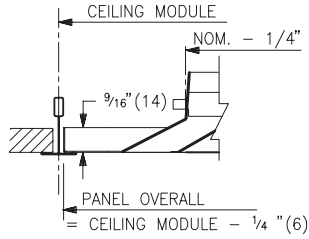
LAY IN Frame

<p>Style 3</p> <p>1" (25) TYPICAL</p> <p>CEILING MODULE = CM</p> <p>NOM. DUCT = CM - 2" (51)</p> <p>1" (25)</p>	<p>Style 5TB</p> <p>1/8" (3)</p> <p>1" (25) TYP</p>	<p>Style 17 Narrow</p> <p>CEILING MODULE = D + 6" (152)</p> <p>5/16" (8)</p> <p>3/8" (9)</p> <p>9/16" (14)</p> <p>OA = CEILING MODULE - 5/8" (16)</p>
<p>Style 17 Tegular</p> <p>CEILING MODULE = D + 6" (152)</p> <p>3/8" (9)</p> <p>9/16" (14)</p> <p>OA = CEILING MODULE - 5/8" (16)</p>	<p>Style 33</p> <p>CEILING MODULE</p> <p>OA = D + 2 3/4" (70)</p>	<p>Style 34</p> <p>CEILING MODULE = D + 4" (102)</p> <p>D = NOM. DUCT</p> <p>D - 1/4" (6)</p> <p>2 3/8" (60)</p> <p>D + 3 3/4" (95)</p>
<p>Style 36</p> <p>CEILING MODULE</p> <p>OA = D + 5 3/4" (147)</p>	<p>Style 38</p> <p>CEILING MODULE = D + 8" (203)</p> <p>D = NOM. DUCT</p> <p>D - 1/4" (6)</p> <p>2 3/8" (60)</p> <p>D + 7 3/4" (197)</p>	

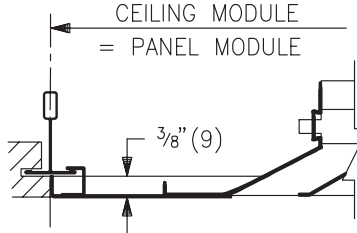
DIFFUSER FRAME STYLE SELECTION GUIDE

Panel

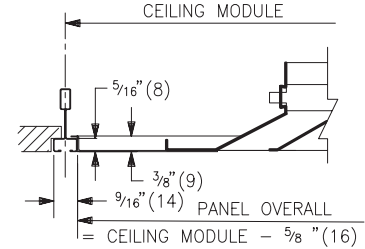
Style 3P/3PA



Style 4P/4PA



Style 17P/17PA Narrow



Style 17P/17PA Tegular

