

# PCBL

LINEAR PASSIVE CHILLED BEAM

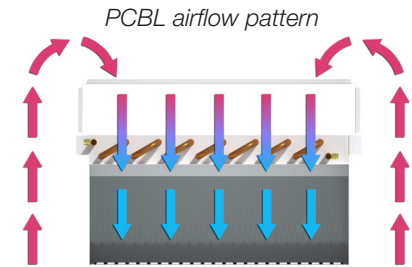


# PCBL

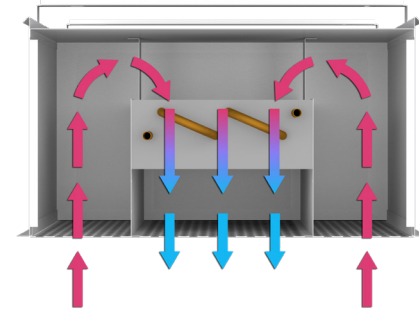
## Linear Passive Chilled Beam

The Linear Passive Chilled Beam (PCBL) is a sensible cooling only product that does not require airflow to treat the sensible load in a space. The cooling effect is created by natural convection through the use of a cooling coil in the unit. The warm return air rises and contacts the cooling coil which creates a downward airflow that draws the return air across the cooling coil and provides cooling capacity.

The compact design of the PCBL provides for short ceiling plenum heights or minimal clearance requirements for exposed installations. It does not require external air, but should be applied in conjunction with other air delivery systems such as active beams, underfloor air distribution, displacement ventilation, or mixing ventilation, to deal with space ventilation requirements and/or space latent loads. When combined with a displacement ventilation system, the passive chilled beam will greatly improve the system transfer effectiveness.



PCBL with integrated return airflow pattern



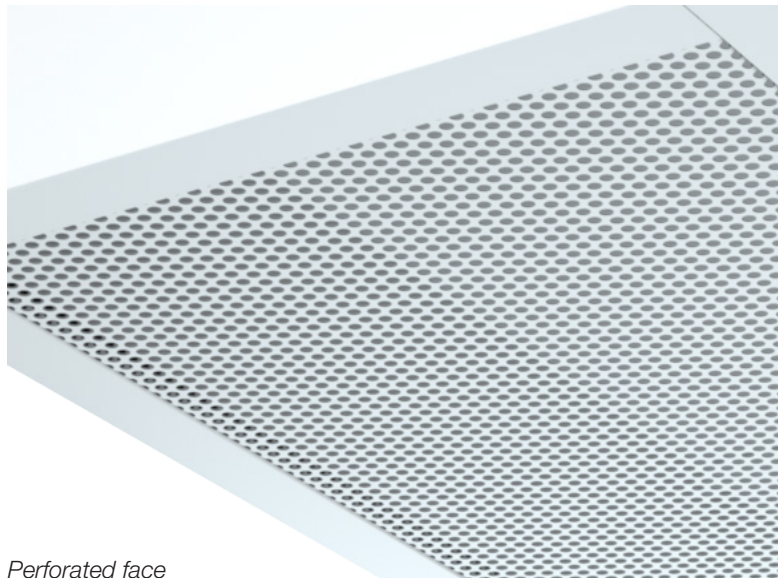
Open ceiling application

## ARCHITECTURAL INTEGRATION

- + **Commercial applications** – Perimeter cooling of high solar loads, complementary cooling, and spaces where quiet cooling is needed are excellent uses of passive chilled beam systems.
- + **In combination with displacement ventilation** – Both displacement ventilation and passive chilled beam systems utilize low velocity discharge air and benefit from stratification.
- + **Open ceilings** – Passive beams can be used in open ceilings.

## AESTHETIC OPTIONS

- + **Concealed mounting** – Mounts above a perforated or wooden slat ceiling with greater than 50% free area.
- + **Perforated Face** – Greater than 50% free area allows air to passively discharge into the occupied space.



*Perforated face*

## TYPICAL APPLICATIONS

The PCBL is designed for installation in open ceilings, T-bar ceilings, or concealed applications. Transient areas such as hallways, corridors, lobbies, and perimeter zones are the ideal locations for passive beams.

The PCBL with Integrated Return is designed with its own plenum and functions similarly to the PCBL. It is used in applications where the unit is to be installed in the ceiling and a return air path is required. For example, the PCBL with integrated return can be installed in a recessed drywall ceiling or used in a T-bar ceiling with non-perforated ceiling tiles.

## FEATURES

- + Extremely quiet operation
- + Low maintenance
- + Provides supplementary cooling
- + Upturned or straight coil connections

# ZONE CONTROLLER

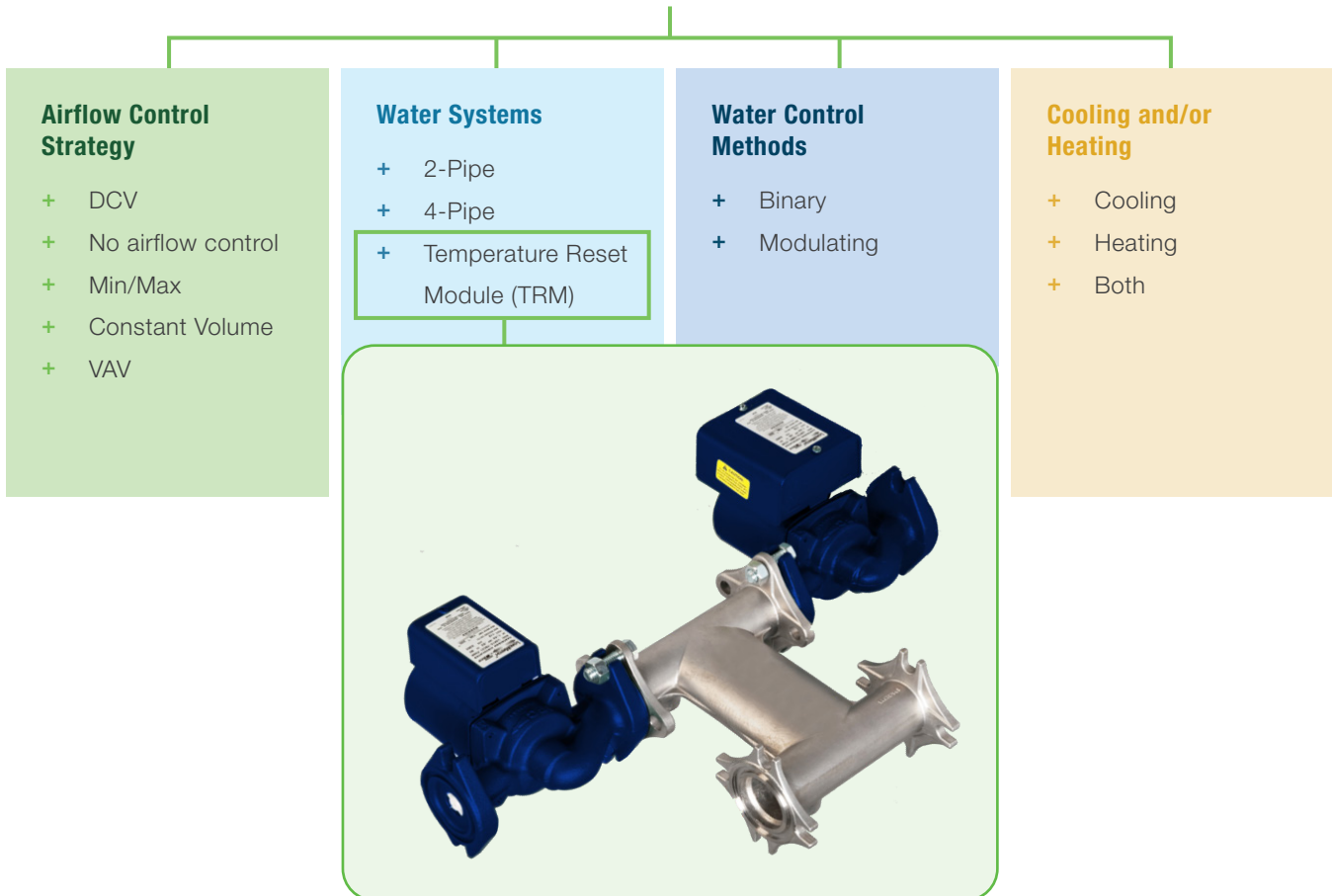
With the Price Intelligent Controller for Hydronic Applications (PIC-HP), Price now offers control of both the air side and the water side at the zone level. A wide variety of standard sequences are available depending on the desired control method. This systems brings multiple control points into one location allowing substantial cost savings with Chilled Beams systems. These controls are available with BMS integration over BACnet.



Check PIC-HP catalog for sequences

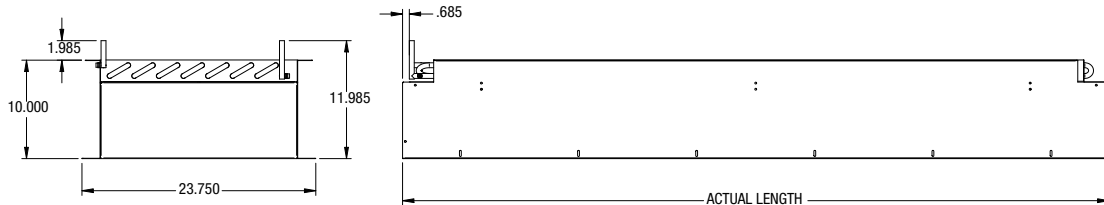
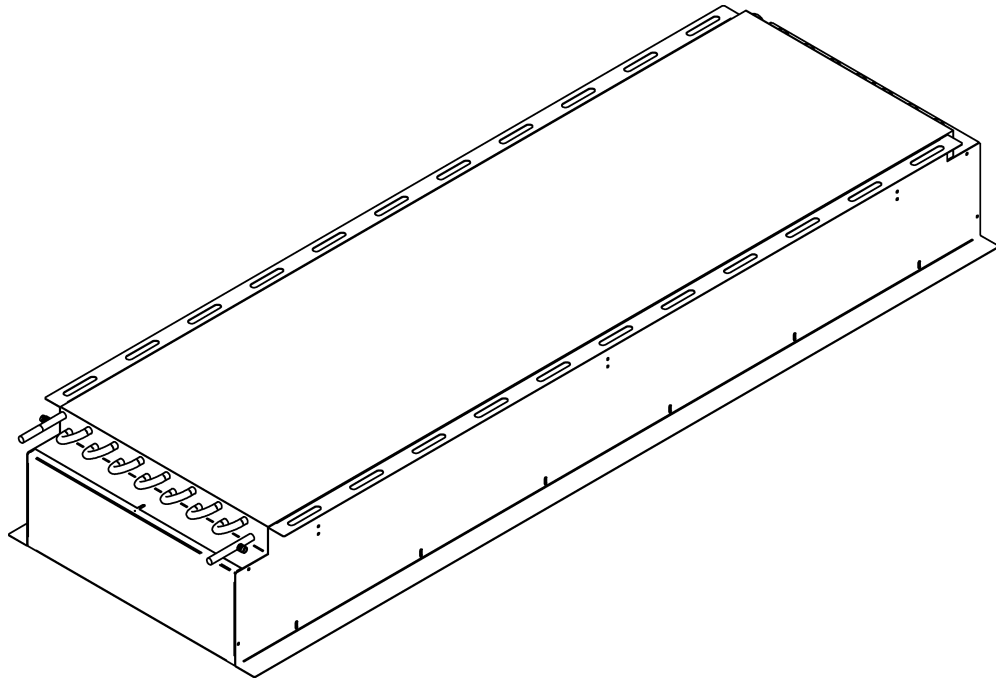


## PIC-HP Control Sequences



## DIMENSIONAL DATA

### PCBL 24 in. — Fixed Mounting Bracket

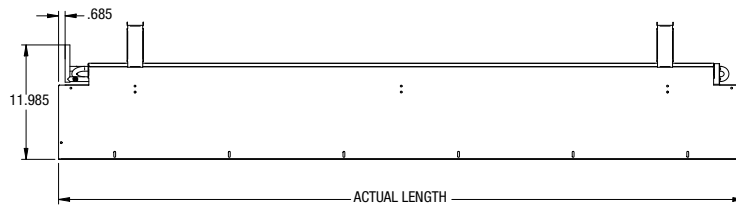
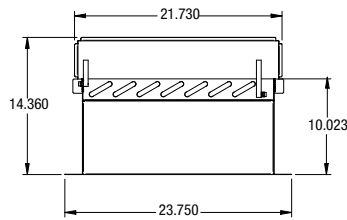
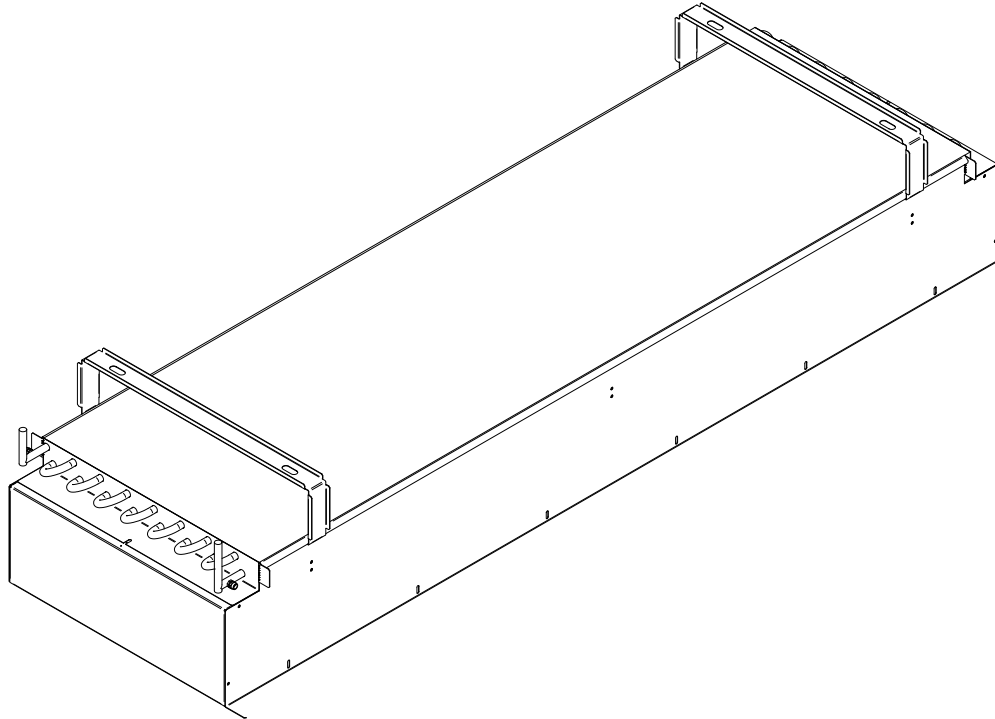


Nominal Width	Actual Width (W)
12	11.75
24	23.75

Nominal Length	Actual Length (L)
24	23.75
36	35.75
48	47.75
60	59.75
72	71.75
84	83.75
96	95.18
108	107.75
120	119.75

## DIMENSIONAL DATA

### PCBL 24 in. — Adjustable Mounting Bracket

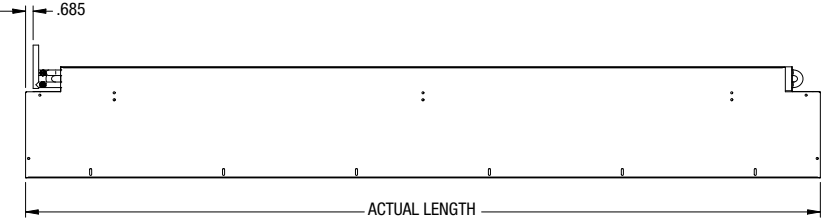
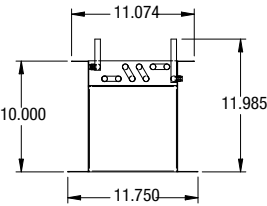
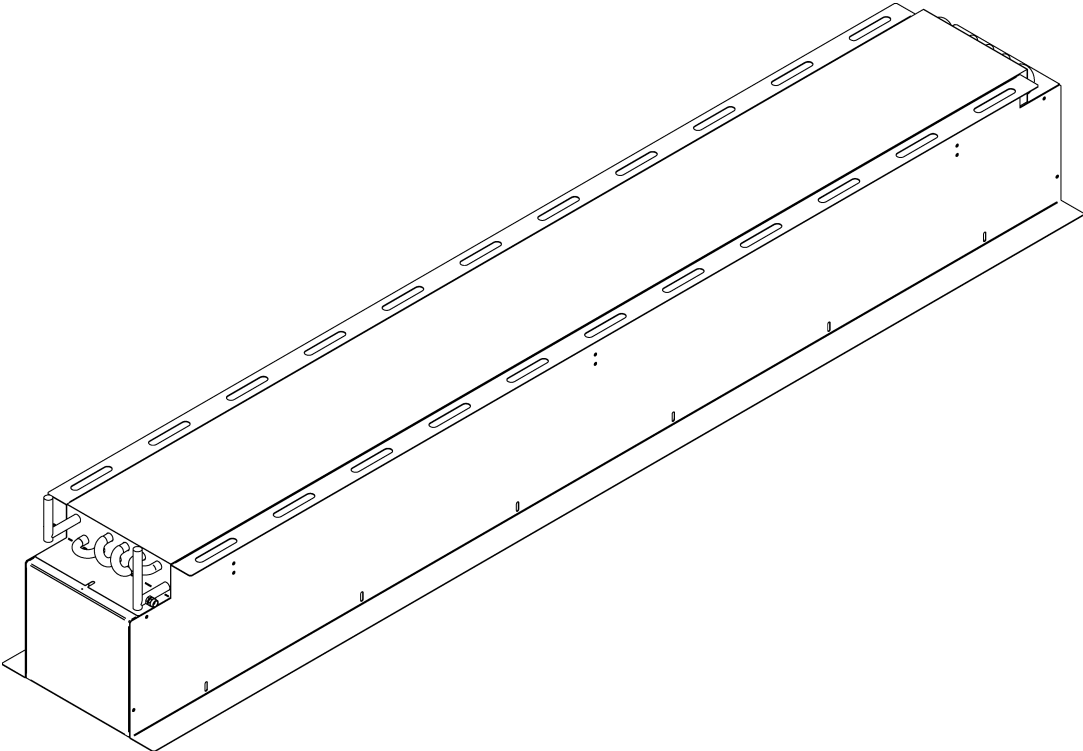


Nominal Width	Actual Width (W)
12	11.75
24	23.75

Nominal Length	Actual Length (L)
24	23.75
36	35.75
48	47.75
60	59.75
72	71.75
84	83.75
96	95.18
108	107.75
120	119.75

# DIMENSIONAL DATA

## PCBL 12in. – Fixed Mounting Bracket

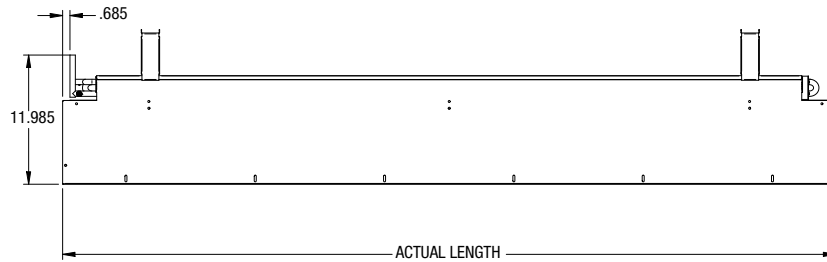
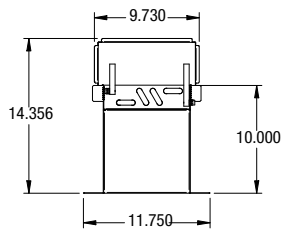
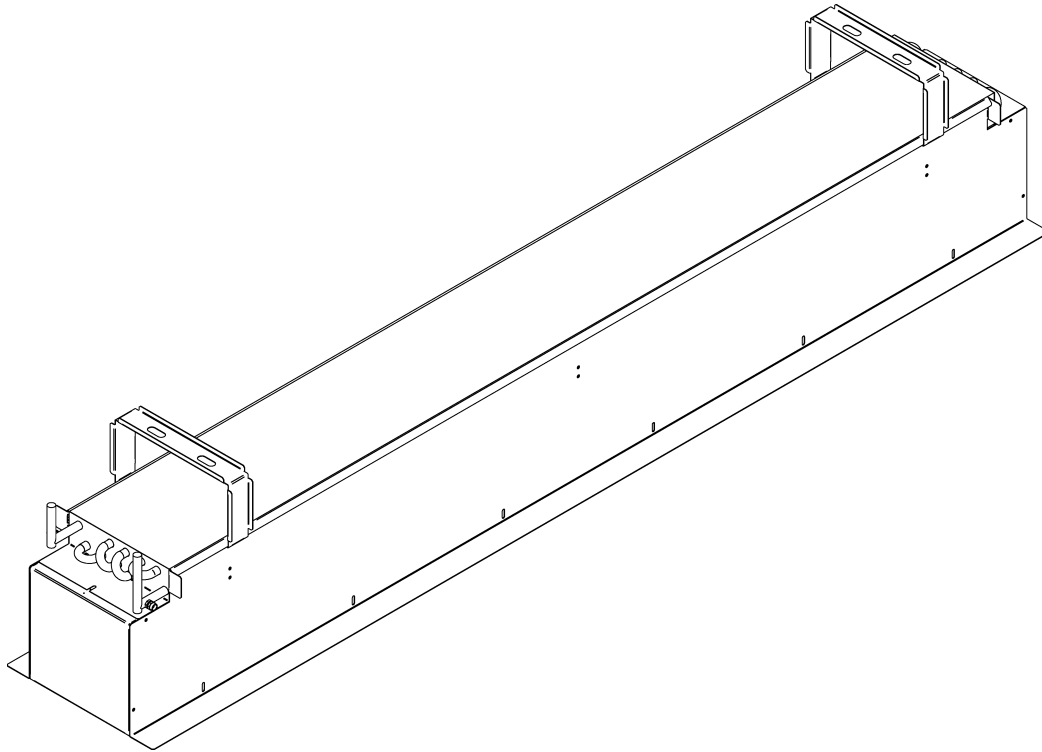


Nominal Width	Actual Width (W)
12	11.75
24	23.75

Nominal Length	Actual Length (L)
24	23.75
36	35.75
48	47.75
60	59.75
72	71.75
84	83.75
96	95.18
108	107.75
120	119.75

# DIMENSIONAL DATA

## PCBL 12 in. – Adjustable Mounting Bracket



Nominal Width	Actual Width (W)
12	11.75
24	23.75

Nominal Length	Actual Length (L)
24	23.75
36	35.75
48	47.75
60	59.75
72	71.75
84	83.75
96	95.18
108	107.75
120	119.75











Product Improvement is a continuing endeavour at Price. Therefore, specifications are subject to change without notice. Consult your Price Sales Representative for current specifications or more detailed information. Not all products may be available in all geographic areas. All goods described in this document are warranted as described in the Limited Warranty shown at [priceindustries.com](http://priceindustries.com). The complete Price product catalog can be viewed online at [priceindustries.com](http://priceindustries.com).