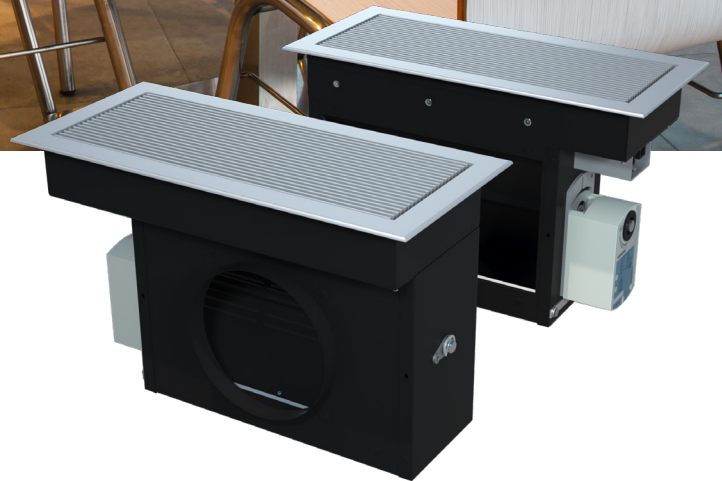


LPT

LINEAR PLENUM TERMINAL WITH DAMPER



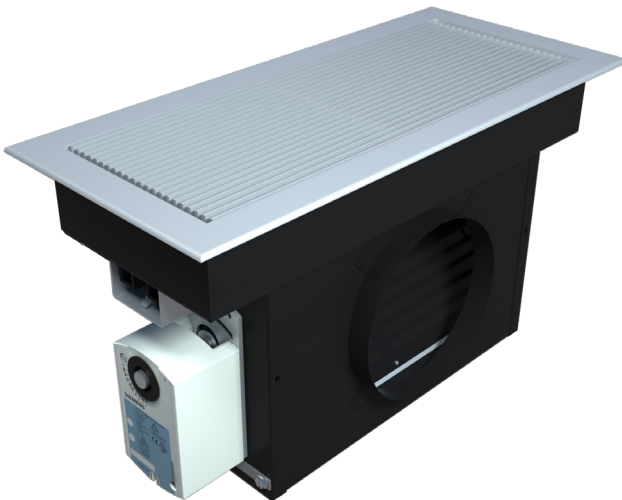
LPT

Linear Plenum Terminal with Damper

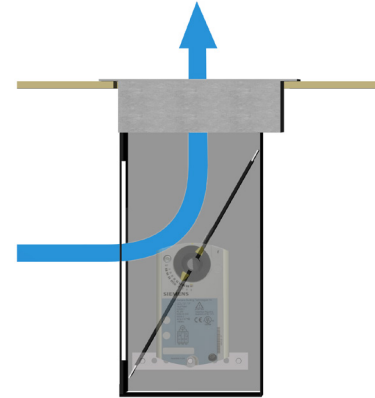
The Linear Plenum Terminal (LPT-HC and LPT-VC) is designed for a raised floor system requiring perimeter conditioning cooling, or both heating and cooling. The LPT is suitable for light foot traffic when used in conjunction with the Linear floor Grille (LFG) - heavy duty construction. The LPT-VC plenum comes equipped with a VAV damper for modulating cooling airflow from an underfloor plenum. The LPT-HC option combines the VAV damper for cooling via an underfloor plenum with a ducted inlet for heating via an underfloor fan box (FDU).



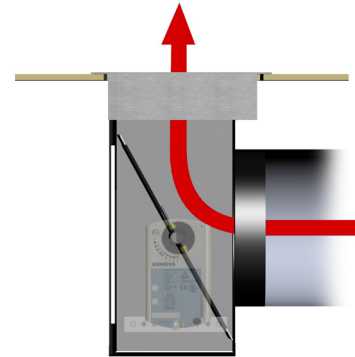
LPT-VC



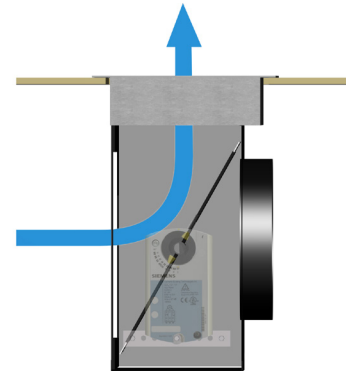
LPT-HC



LPT-VC airflow



LPT-HC airflow heating mode



LPT-HC airflow cooling mode

DESIGNED TO MAXIMIZE MODULARITY

- + Removable end caps are supplied with each unit allowing either discrete or continuous grille appearances.
- + Power and control signals delivered to each unit via a single daisy chained cable, with up to six units in series.

VARIOUS STYLES

- + Floor supported plenum, to be used with 1000 series grille border.
- + Pedestal supported plenum, to be used with 125/187 series grille border for a flange-less appearance.
- + Plenum is available in two different sizes.
- + Inlet is available in two sizes: 6 in. round and 8 in. oval.

TYPICAL APPLICATIONS

The LPT is used in applications with pressurized underfloor plenums to provide a VAV perimeter terminal solution. With the LPT-HC, the plenum air can be used in cooling, and a ducted inlet can be used to provide heating air from an underfloor terminal unit. All cabling and wiring is done under the floor, keeping the installation and any subsequent access and maintenance clean and simplified.

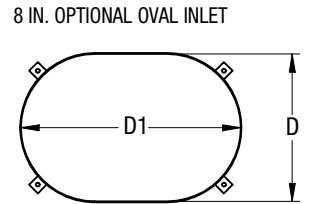
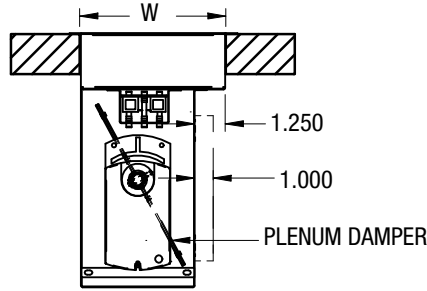
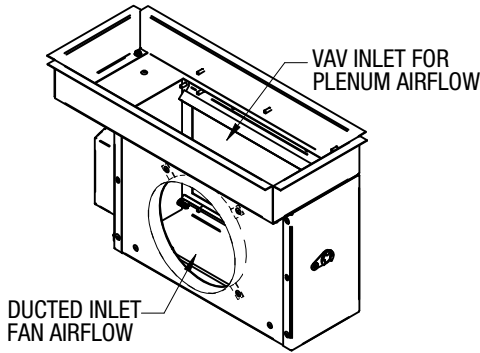
FEATURES

- + Steel plenum painted black
- + Overall height allows for cable runs under unit in 12 in. floors
- + Modulating damper for VAV cooling control
- + Plenum rated C25 cable provided for simple connection to the Price underfloor system

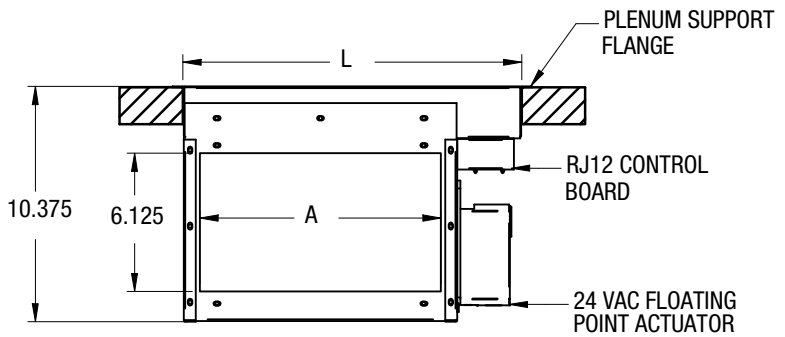
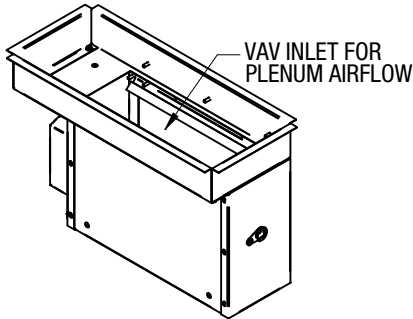
DIMENSIONAL DATA

Floor Tile Supported

HC - HEATING & VAV COOLING



VC - VAV COOLING



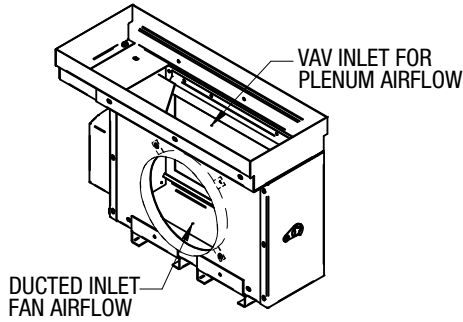
Rough opening (L x W)	Plenum length	Plenum width	A
15 x 6	14.875	5.875	10.625
16 x 8	15.875	7.875	11.625

Size	Inlet	
	D	D1
6 in. Round	5.875	N/A
8 in. Oval	6	8.937

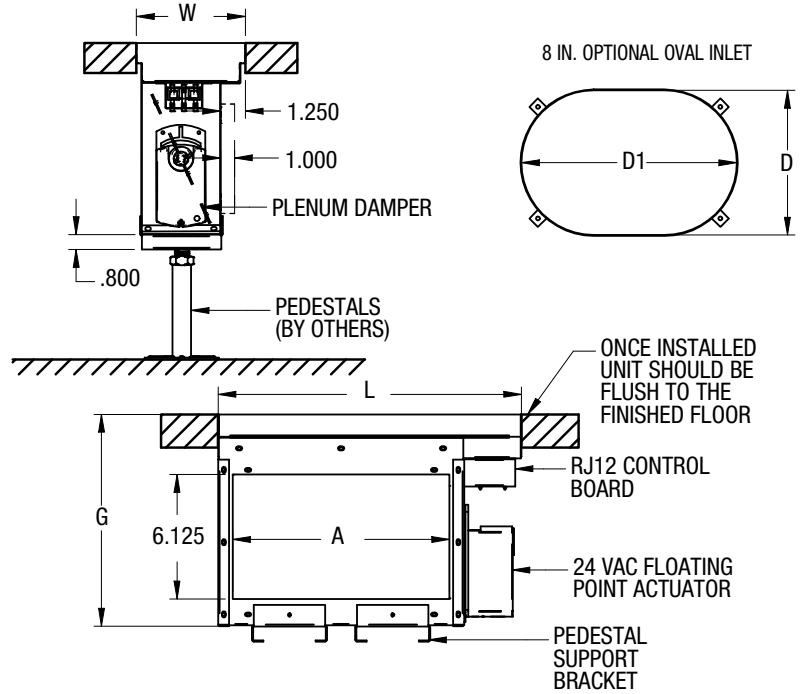
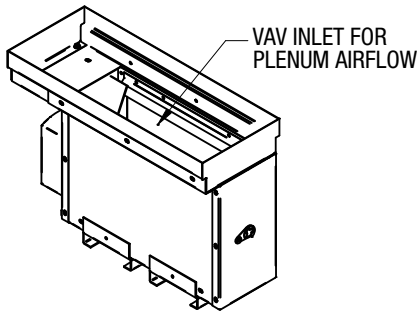
DIMENSIONAL DATA

Pedestal Supported

HC - HEATING & VAV COOLING



VC - VAV COOLING



Rough opening (L x W)	Plenum length	Plenum width	A
15 x 6	14.875	5.875	10.625
16 x 8	15.875	7.875	11.625

Inlet		
Size	D	D1
6 in. Round	5.875	N/A
8 in. Oval	6	8.937

Assembly Height with LFG Installed	
Core Style	G
Pressed Core	10.55
Mandrel Core	10.375

PERFORMANCE DATA

Plenum Cooling

Plenum size	Pressure in.w.g.	.01	.02	.03	.04	.05	.06	.07	.08	.09	.10
15 x 6	Airflow CFM	51	77	91	106	120	131	141	152	161	170
	Sound NC	-	-	-	-	-	21	25	27	28	29
16 x 8	Airflow CFM	76	115	137	158	180	195	210	225	240	254
	Sound NC	-	-	-	-	-	17	18	19	22	24

Ducted Heating

Plenum Size	Duct Size	cfm	50	100	150	200	250
15 x 6	6 in. round	Pressure in.w.g.	0.01	0.03	0.06	0.11	N/A
		Sound NC	-	-	29	37	
	8 in. oval	Pressure in.w.g.	0.01	0.04	0.08	0.15	
		Sound NC	-	-	22	31	
16 x 8	6 in. round	Pressure in.w.g.	N/A	0.02	0.04	0.06	0.10
		Sound NC		-	21	29	37
	8 in. oval	Pressure in.w.g.		0.01	0.03	0.06	0.09
		Sound NC		-	-	20	26

Performance Notes:

- All data tested with damper fully open where applicable.
- Units are tested in accordance with ASHRAE Standard 70-2006 (RA2011).
- Airflow is in cubic feet per minute, cfm.
- SP - Static pressure is in inches of water, in. w.g.
- NC levels are based on a room absorption of 10 dB, re10⁻¹² watts and one diffuser.
- Blanks "-" signifies individual diffusers have been lab tested and verified to achieve noise levels below NC-15 in accordance with ASHRAE-70.
- Ducted indicates the LPT is direct ducted to a supply source.
- Plenum indicates the LPT is sourced from a pressurized plenum.
- LPT-HC cooling performance equal to LPT-VC.
- Heating performance for LPT-HC only.
- For throw values refer to Linear Floor Grille(LFG) with 25C core style.

LPT

Linear Plenum Terminal with Damper

MODUFLEX

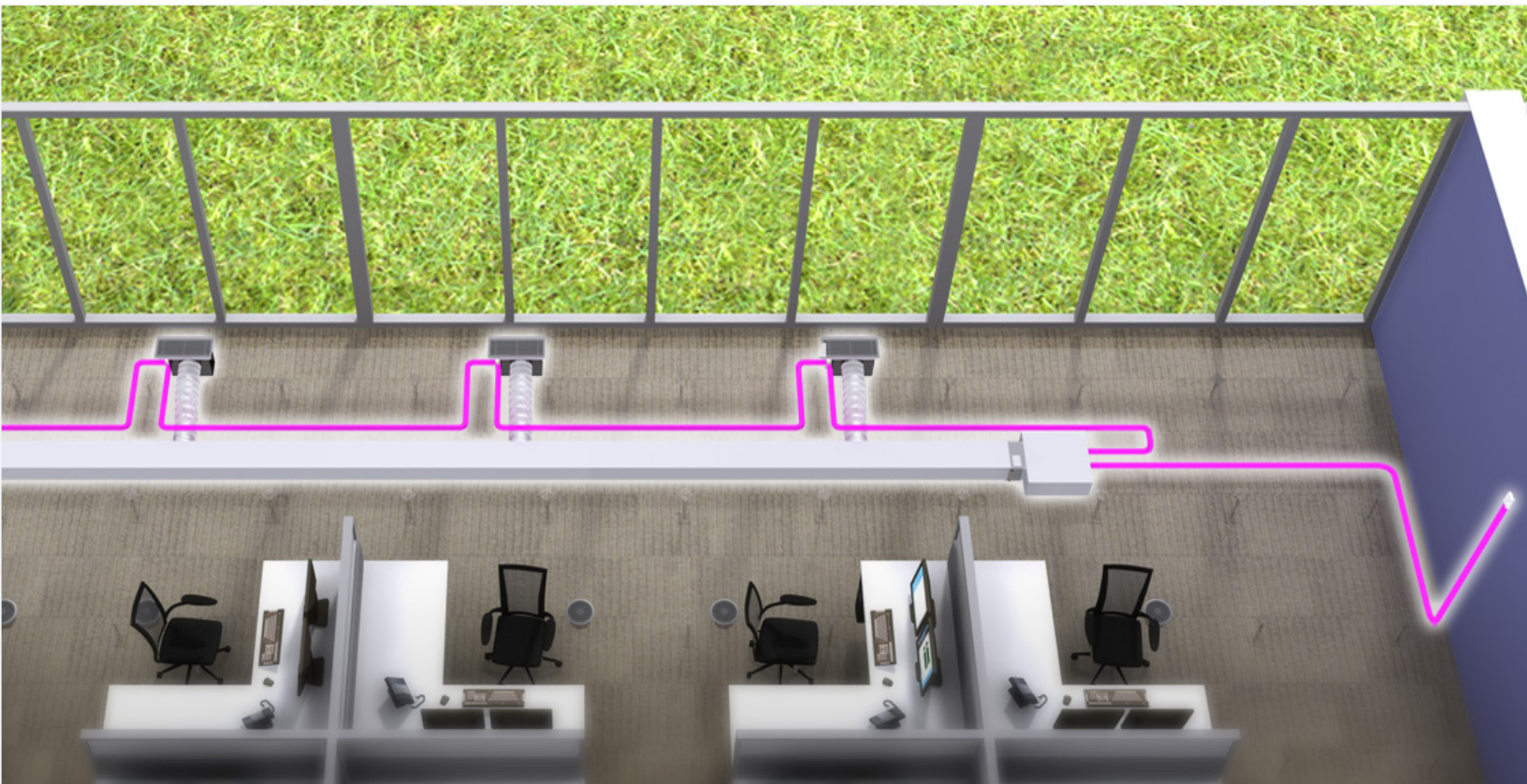
ModuFlex by Price is an Underfloor Air System Solution that is easy to apply. This system combines the benefits of Raised Access Floor (RAF) and Price's years of occupant comfort experience to provide a tailored solution that achieves a comfortable building environment and maximum flexibility. LPT-HC and LPT-VC products are most commonly used in perimeter zones.

Perimeter Zones

These zones are typically more complex than interior zones. Perimeter zones generally have larger and more varying loads and often require auxiliary heat. Using the proper system helps control heating and cooling requirements for the space.

Ducted Fan Heating and Plenum Cooling

In areas where plenum cooling can be implemented the LPT has a damper which modulates between cooling and heating positions. In this application, a fan terminal is only required in heating mode. Cooling is provided through the plenum while the fan is off, and heating is provided through the ducted fan terminal with a hot water coil or an electric heater. A thermostat monitors the room temperature, while the PCM on-board the fan terminal modulates the fan space and heating device to meet the space requirements.





Product Improvement is a continuing endeavour at Price. Therefore, specifications are subject to change without notice. Consult your Price Sales Representative for current specifications or more detailed information. Not all products may be available in all geographic areas. All goods described in this document are warranted as described in the Limited Warranty shown at priceindustries.com. The complete Price product catalog can be viewed online at priceindustries.com.